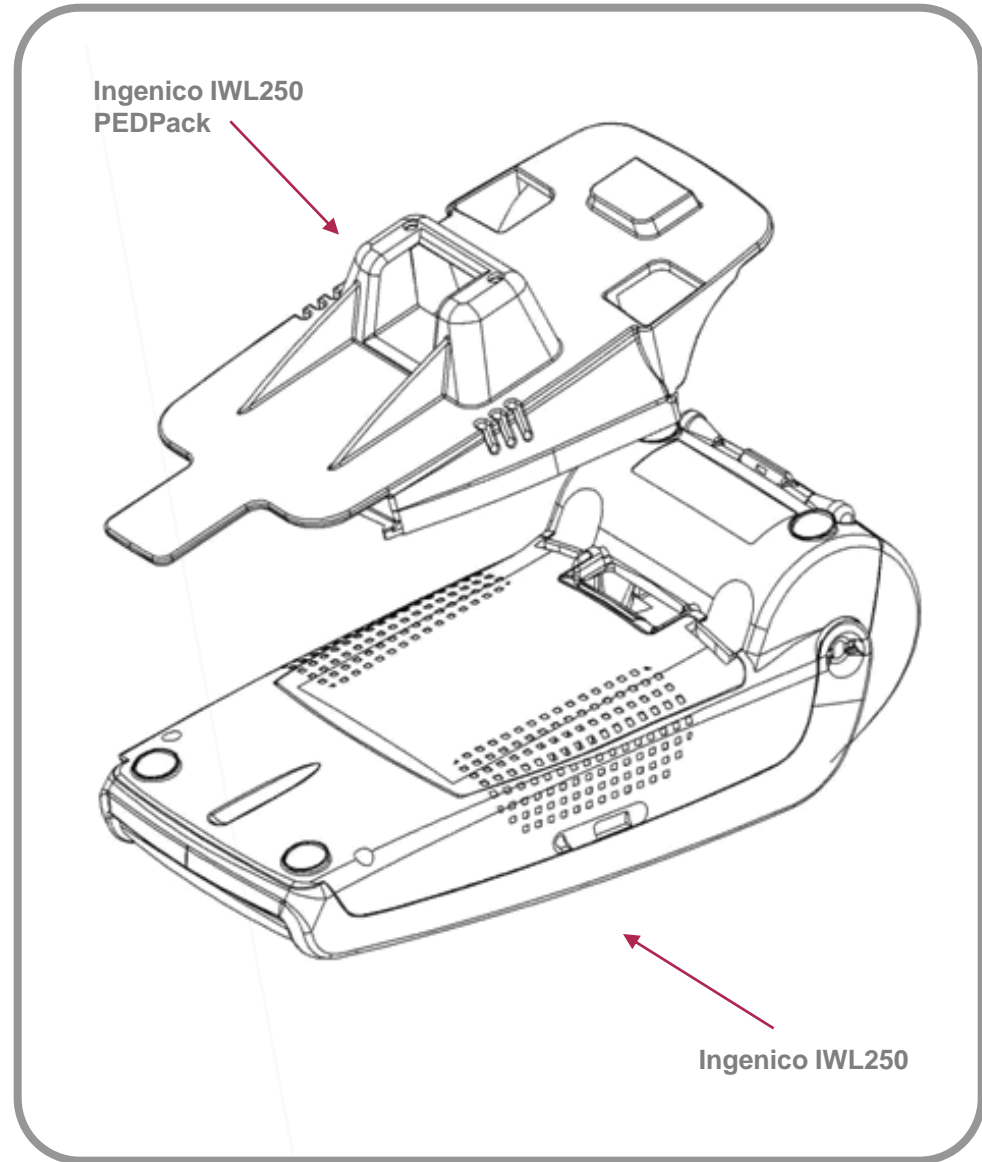
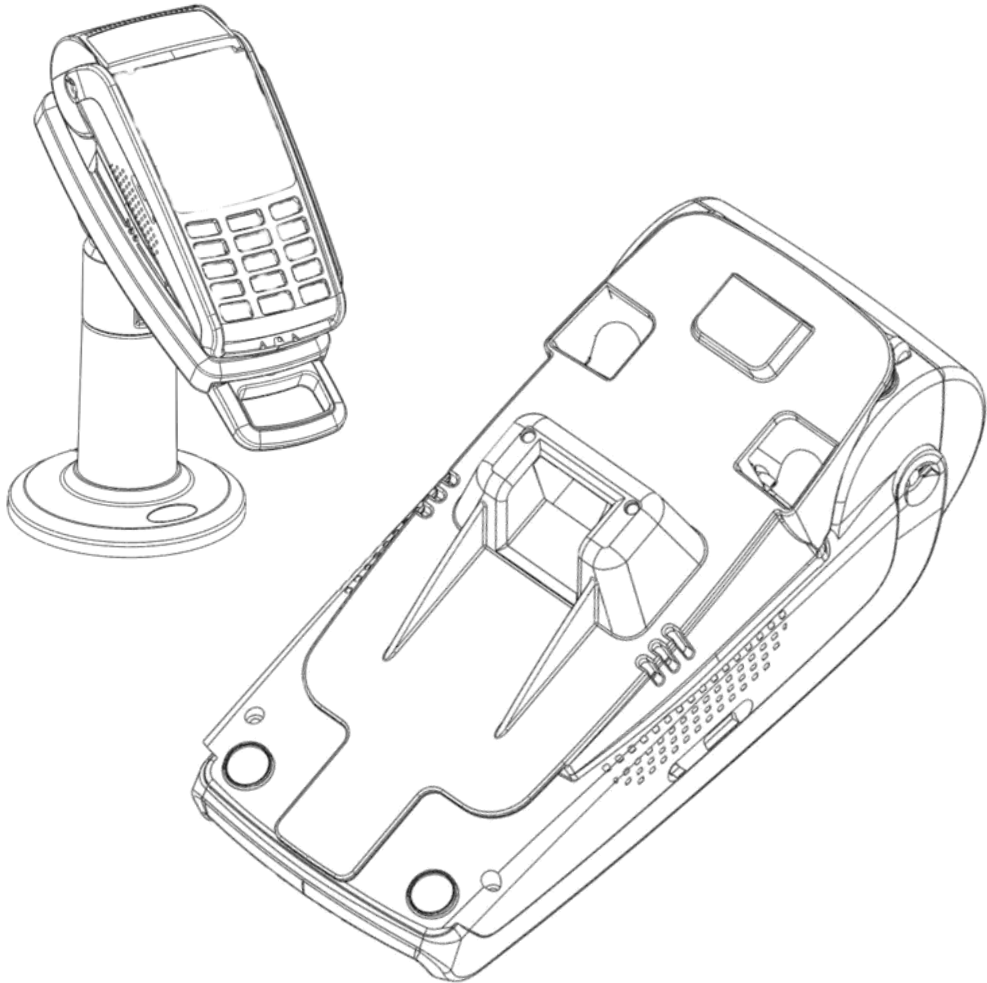


Ingenico IWL250 PEDPack

Quick Installation Guide

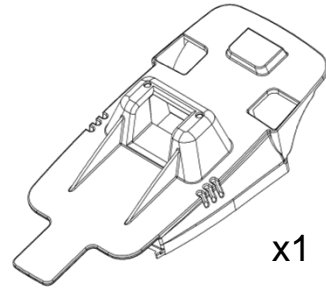


TOOLS



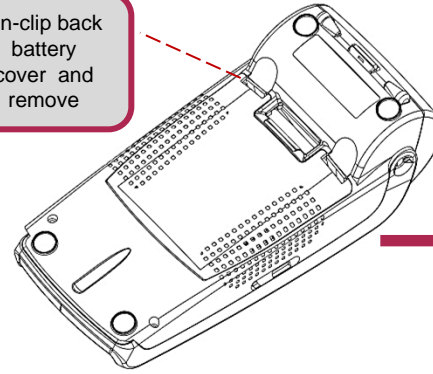
5 min

PARTS

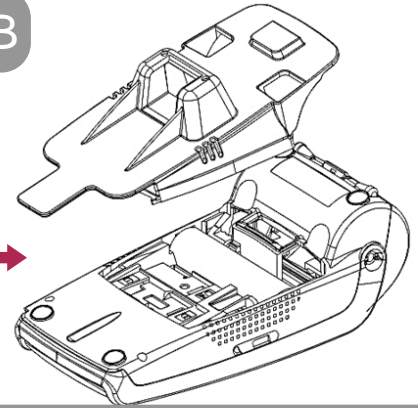


1A

Un-clip back battery cover and remove



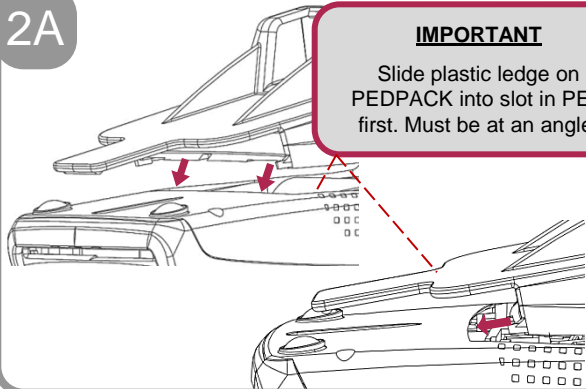
1B



2A

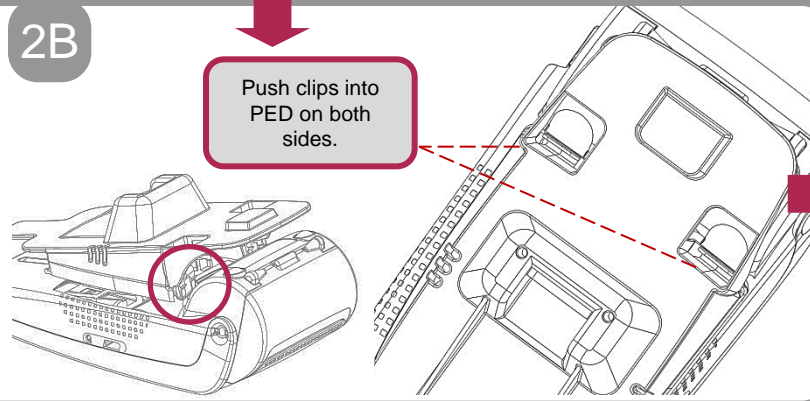
IMPORTANT

Slide plastic ledge on PEDPACK into slot in PED first. Must be at an angle.

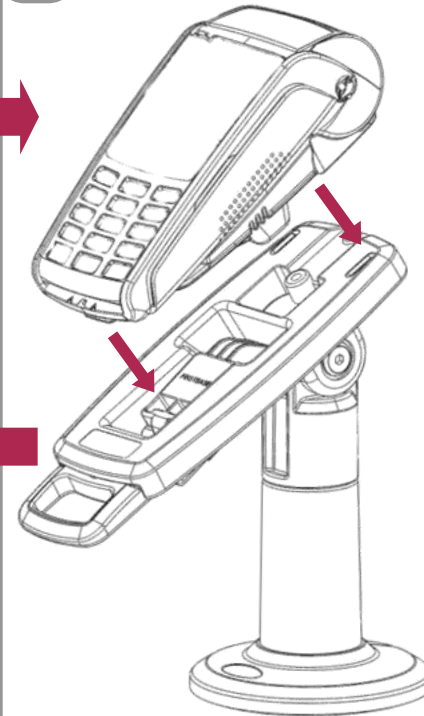


2B

Push clips into PED on both sides.



3

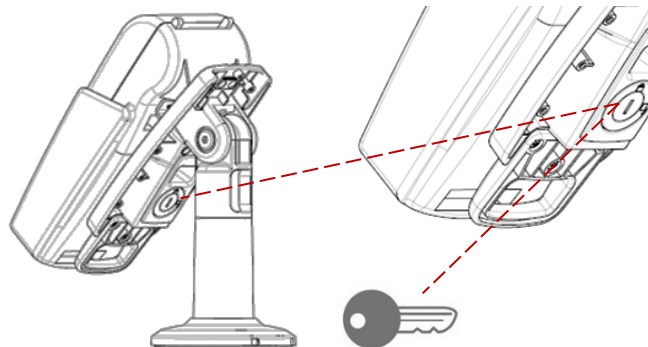


4

OPTIONAL

If locking device, turn key then remove to secure.

To unlock, first ensure key fitted.



To remove device...

