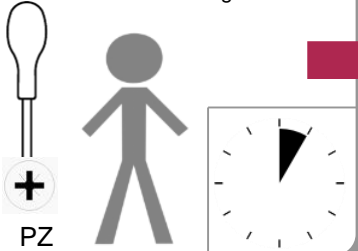


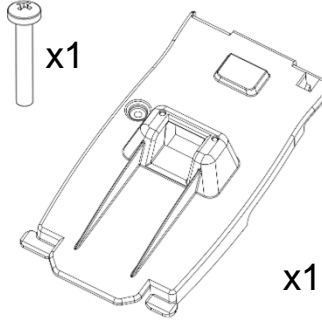
TOOLS

RECOMMENDED

Torque setting 40CNm for all screw fixings



PARTS



1

Remove existing screw from terminal, if present, and discard

2a

Place BackPlate onto terminal with hooks visible

2b

Slide BackPlate down until hooks are captive under bridge and captured at front

3

Fit screw supplied

Torque setting 40CNm

4

Fit terminal onto plinth

4

GENERIC PED SHOWN

OPTIONAL

If locking device, turn key then remove to secure.

To unlock, first ensure key fitted.

To remove device...

