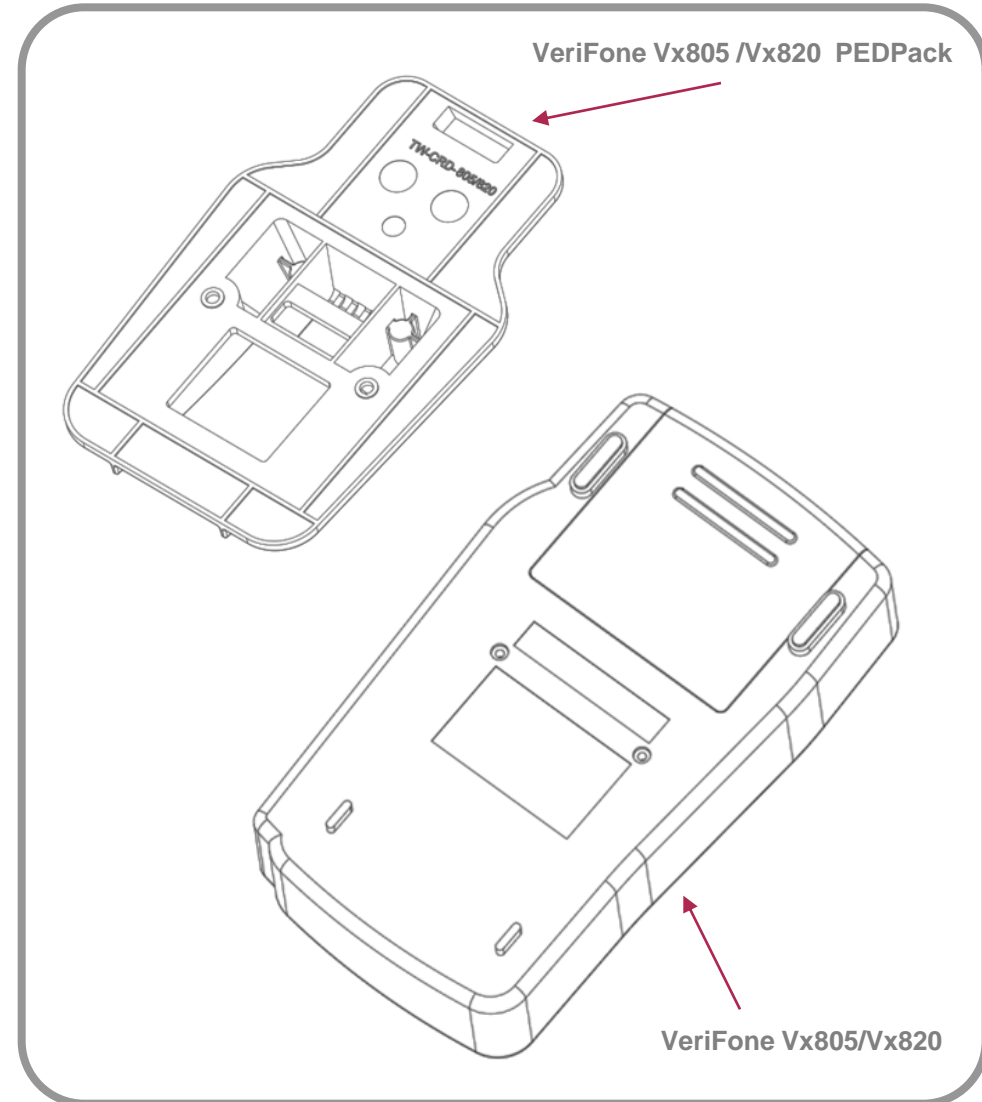
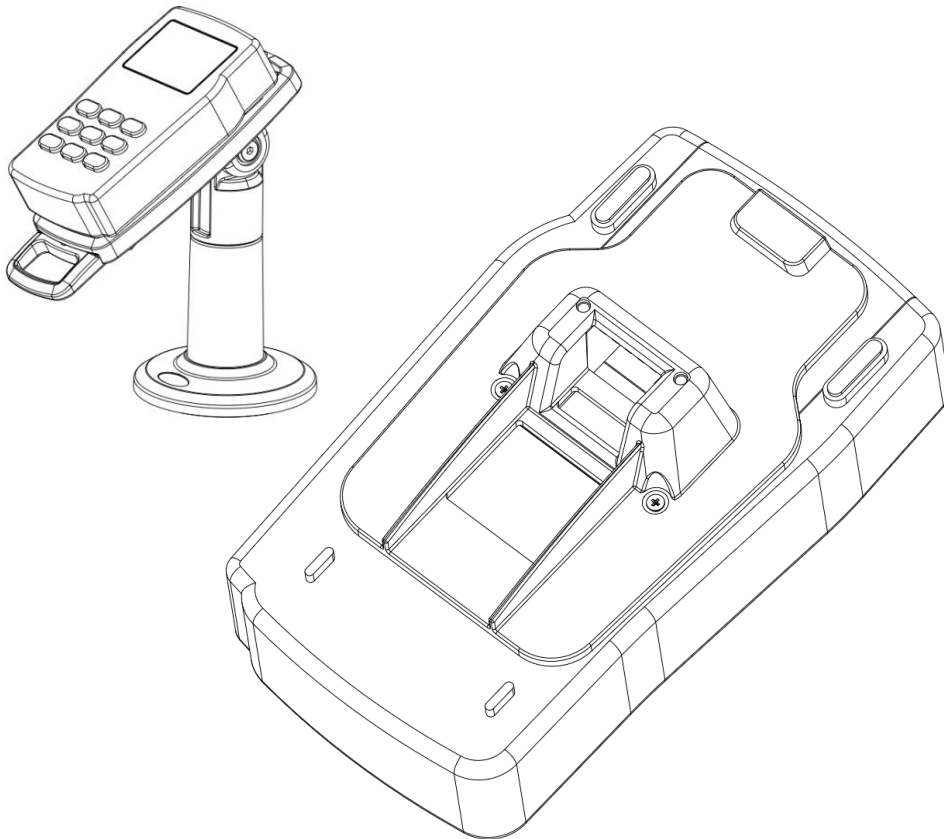


# VeriFone Vx805/Vx820 Hybrid PEDPack

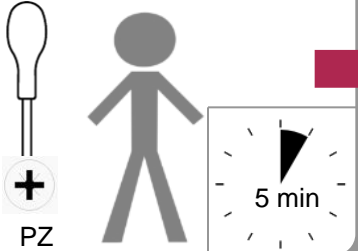
## Quick Installation Guide



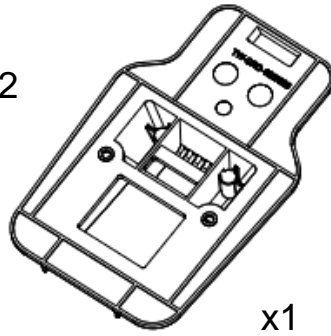
### TOOLS

**RECOMMENDED**

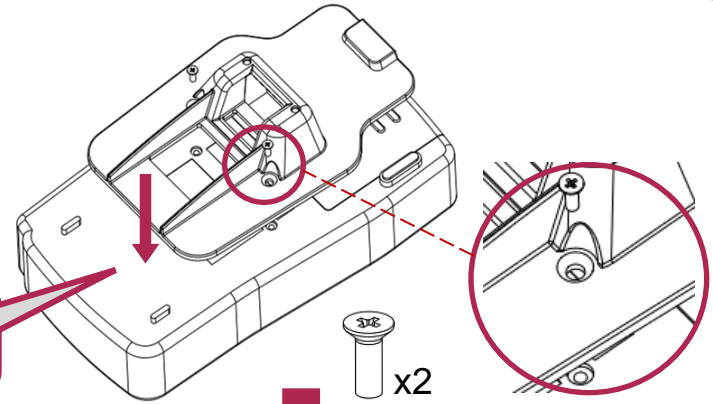
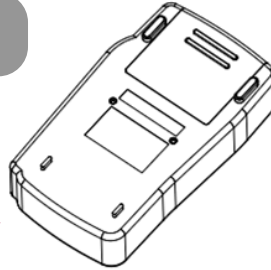
Torque setting 40CNm  
for all screw fixings



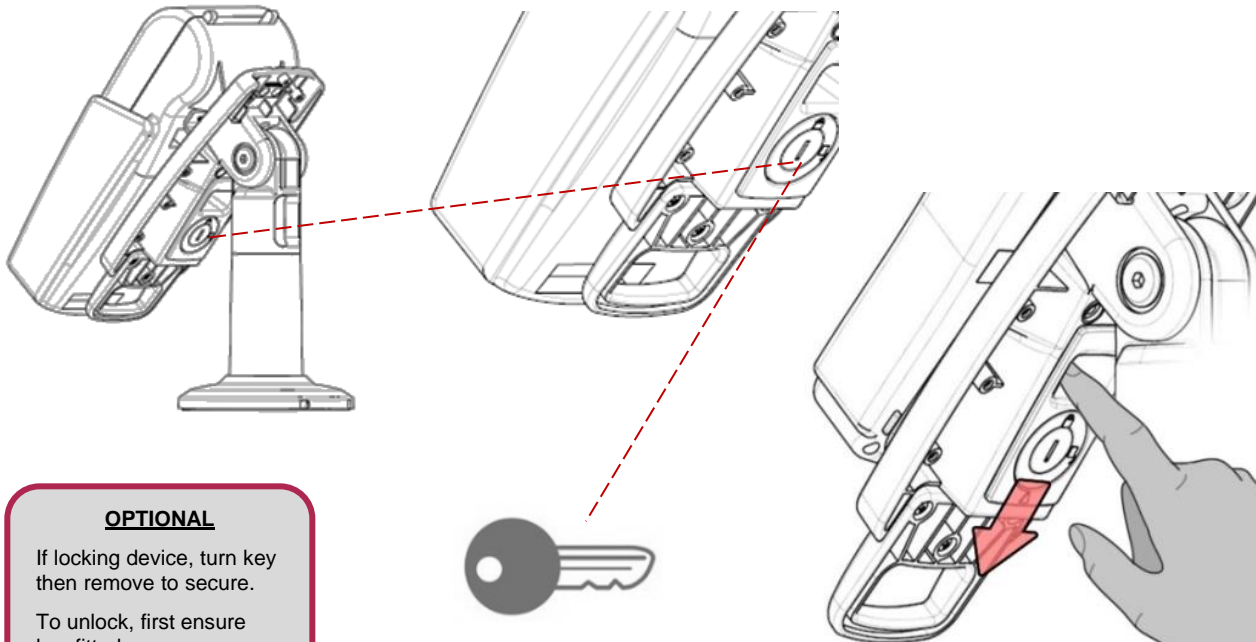
### PARTS



1



3

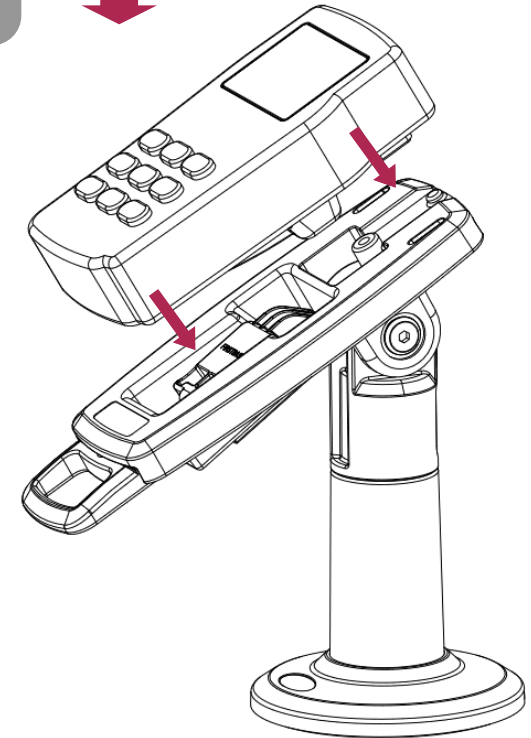


**OPTIONAL**

If locking device, turn key  
then remove to secure.

To unlock, first ensure  
key fitted.

2



To remove device...